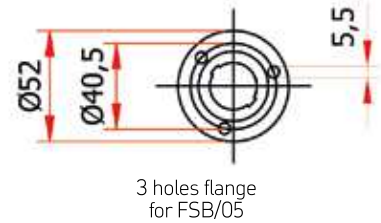
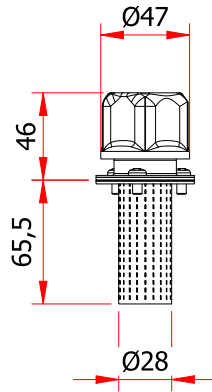


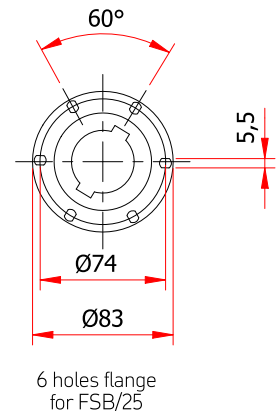
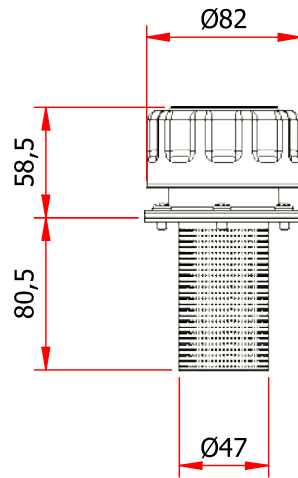
FSB - FILLER BREATHERS CAP WITH STRAINER



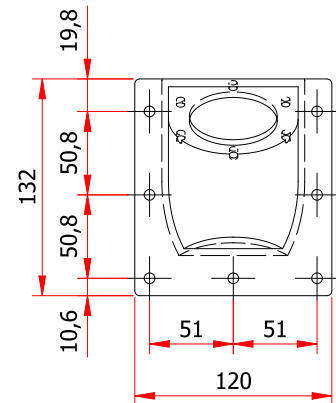
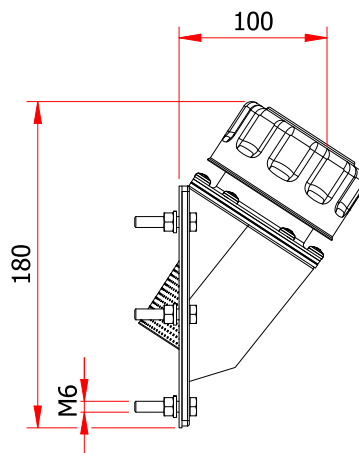
FSB/05



FSB/25



FSB/25 BM



Filler breather cap with air filter. Mounting with flange and self tapping M5 screws, bayonet connection.

- **Material:** chromed steel.
- **Filter:** air filter element made of polyurethane foam, filtration degree 40 microns (10 microns on request).
- **Filtering strainer:** 800 μ filtration degree.
- **Sealing:** Cork.
- **Airflow capacity:** up to 950 Liters/min (see data and graphic page 75).

Special versions

- **FSB/25-SD:** with welding flange.
- **FSB/25-38:** with removable metal filtering strainer.
- **FSB/25-150:** with 150 mm metal filtering strainer.
- **FSB/25-L:** with predisposition ring for safety lock.
- **FSB/25-L+C:** supplied with safety lock.
- **FSB/25-G:** with NBR flat seals.