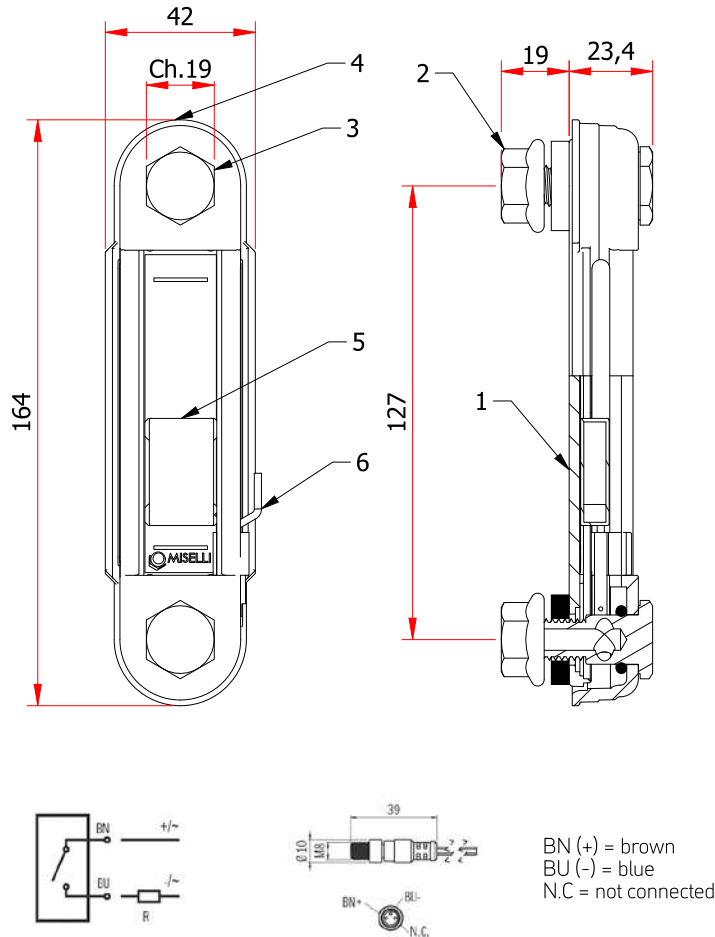


XL/127-PLAST-SL

VERTICAL LEVEL GAUGE WITH MINIMUM LEVEL ELECTRICAL SWITCH



- **REED switch** attached on the external guard, adjustable in height according to the level design requirement; standard switch is supplied with power cable 30 cm in length with M8 male connector. On request it is possible to provide a separate connection cable (250 cm in length) complete with female M8 connector.

- **Floating element** made in technopolymer containing a magnet that, when in proximity with the REED sensor, closes the electrical contact.

- **Standard execution: normally open** electrical contact (NO).

- **Operation features:** the vertical level gauge XL/127-PLAST-SL, in addition to allowing a visual inspection, provides an electrical signal when the float element reaches the preset minimum level.

COMPONENTS LIST

| Item | Description |
|------|--------------------------------------|
| 1 | Transparent body |
| 2 | Flanged hex M12 |
| 3 | Hollow bolt M12 |
| 4 | Plastic guard |
| 5 | Magnetic floating element |
| 6 | "REED" sensor with M8 male connector |

ELECTRICAL CHARACTERISTICS "REED" SWITCH

| | |
|---------------------------|------------------|
| Sensor type | "REED" 2 wires |
| Supply voltage | 3-30 Vac/dc |
| Electrical contact | NO Normally open |
| Switching current | 0,2 A |
| Power rating (Ohmic load) | 6 W |
| Working temperature | -10°C/+70°C |
| Protection degree | IP67 |