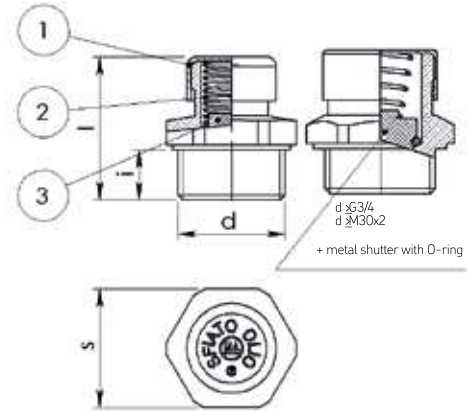


33 A - BREATHER PLUG WITH VENT VALVE



Threaded metal plug with internal one-way vent valve designed for use in gearboxes, bearing housings and transmissions of all types.

- **Material:** body in brass and cap made in zinc plated steel.

- **Vent valve:** it opens at around 0.25 bar/4.35 PSI and exhausts excess pressure in the reservoir, and then closes once the preset pressure setting is reached. In off-highway applications the breather assists in containing oil leaks from the unit.

- **Maximum working temperature:** 90°C/194°F.

- (1) Protection cap: Steel white zinc plated
- (2) Spring: Stainless steel
- (3) Internal seal: NBR

Special versions

For sizes 1/4" 3/8" 1/2" 3/4" possibility to supply conical threads.

Cod.	d	i (mm)	s (mm)	l (mm)	Weight gr	Pack.
33A-G.1/8	G1/8	7	14	21,5	14,5	100
33A-G.1/4	G1/4	9	17	29	30,5	100
33A-R.1/4	R1/4	10	17	29	32	100
33A-G.3/8	G3/8	9	20	28	38	100
33A-R.3/8	R3/8	10	19	27	32	100
33A-G.1/2	G1/2	10	24	29	61	50
33A-R.1/2	R1/2	11	22	30	56	50
33A-G.3/4	G3/4	12	32	35	98	50
33A-R.3/4	R3/4	14	32	37	88	50
33A-G.1	G1	13	40	43	194	25
33A-G.1 1/4 (on enquiry)	G1 1/4	15,5	50	53	510	-
33A-G.1 1/2 (on enquiry)	G1 1/2	15	55	53	600	-
33A-M10x1	M10x1	7	14	22	14,5	100
33A-M12x1,5	M12x1,5	9	17	29	30	100
33A-M14x1,5	M14x1,5	9	17	29	32	100
33A-M16x1,5	M16x1,5	9	22	28	44	100
33A-M18x1,5	M18x1,5	9	22	28	45,6	100
33A-M20x1,5	M20x1,5	10	24	32	71	50
33A-M22x1,5	M22x1,5	10	27	30	81	50
33A-M24x1,5	M24x1,5	11	30	33	120	25
33A-M24x2	M24x2	11	30	33	120	25
33A-M30x2 (on enquiry)	M30x2	12	36	35	150	-