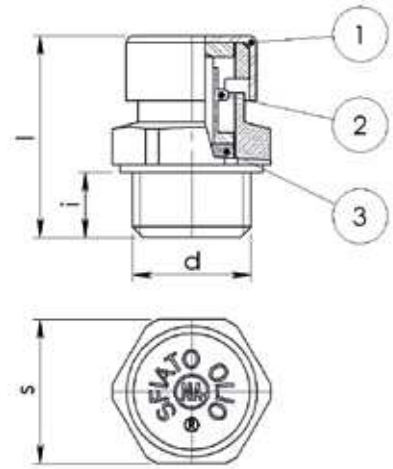


31 A - BREATHER PLUG WITH SINTERED BRONZE FILTER



- (1) Protection cap: steel white zinc plated
 (2) Labyrinth: Aluminium alloy
 (3) Filter: Bronze sintered 50 microns

Metal filler breather that allow air to flow freely in both directions designed for use in speed reducers, gearboxes, bearing housings and transmissions of all types.

- **Material:** body in brass and cap made in zinc plated steel.
- **Filter:** bronze filter element (50 microns filtration degree).
- **Labyrinth:** Aluminium, to contain oil leakages.

Special versions

For sizes 3/8" and 1/2" possibility to supply conical threads.

Cod.	d	i (mm)	s (mm)	l (mm)	Weight gr	Pack.
31A-G.1/8	G1/8	7	14	22	16	100
31A-G.1/4	G1/4	9	17	29	31,5	100
31A-G.3/8	G3/8	9	20	28	37,5	100
31A-R.3/8	R3/8	10	19	27	36,5	100
31A-G.1/2	G1/2	10	24	29	59	50
31A-R.1/2	R1/2	11	22	30	56	50
31A-G.3/4	G3/4	12	32	35	96	50
31A-G.1	G1	13,5	40	43	201,5	25
31A-G.1 1/4 (on enquiry)	G1 1/4	15	50	53	450	-
31A-M10x1	M10x1	7	14	22	15	100
31A-M12x1,5	M12x1,5	9	17	29	30	100
31A-M14x1,5	M14x1,5	9	17	29	33	100
31A-M16x1,5	M16x1,5	9	22	28	43,5	100
31A-M18x1,5	M18x1,5	9	22	28	46,5	100
31A-M20x1,5	M20x1,5	10	24	32	71	50
31A-M22x1,5	M22x1,5	10	27	30	79	50
31A-M24x2	M24x2	11	30	33	118	25
31A-M30X2 (on enquiry)	M30X2	12	36	35	120	-