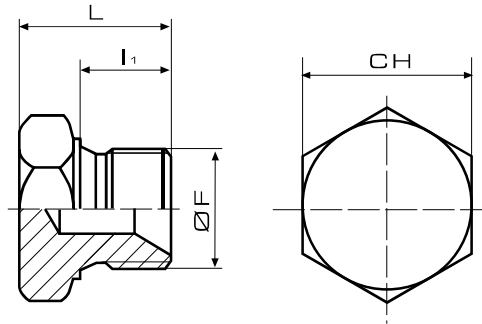


TTE - HEX HEAD STEEL PLUGS



-Material: Steel 11SMnPb37
-Working temperature: **-20°C +100°C/-4 °F +212 °F**

| Code | ØF | I1 | L | CH |
|-----------------------------|----------|----|----|----|
| TTE-18 | G 1/8" | 8 | 13 | 14 |
| TTE-14 | G 1/4" | 11 | 17 | 19 |
| TTE-38 | G 3/8" | 12 | 19 | 22 |
| TTE-12 | G 1/2" | 14 | 22 | 27 |
| TTE-34 | G 3/4" | 16 | 25 | 32 |
| TTE-1 | G 1" | 19 | 29 | 41 |
| TTE-114 (only on request) | G 1 1/4" | 20 | 31 | 50 |
| TTE-112 (only on request) | G 1 1/2" | 21 | 33 | 55 |
| TTE-10.1 | M 10x1 | 8 | 12 | 14 |
| TTE-12.15 | M 12x1,5 | 10 | 15 | 17 |
| TTE-14.15 | M 14x1,5 | 11 | 17 | 19 |
| TTE-16.15 | M 16x1,5 | 12 | 19 | 22 |
| TTE-18.15 | M 18x1,5 | 13 | 20 | 24 |
| TTE-20.15 | M 20x1,5 | 14 | 22 | 27 |
| TTE-22.15 | M 22x1,5 | 15 | 23 | 27 |
| TTE-24.15 (only on request) | M 24x1,5 | 16 | 25 | 30 |
| TTE-26.15 (only on request) | M 26x1,5 | 16 | 25 | 32 |