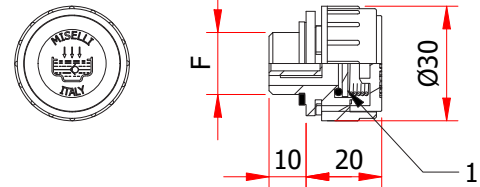


TSV - FILLER BREATHERS WITH VALVE

TSAV - FILLER BREATHERS WITH VALVE AND DIPSTICK



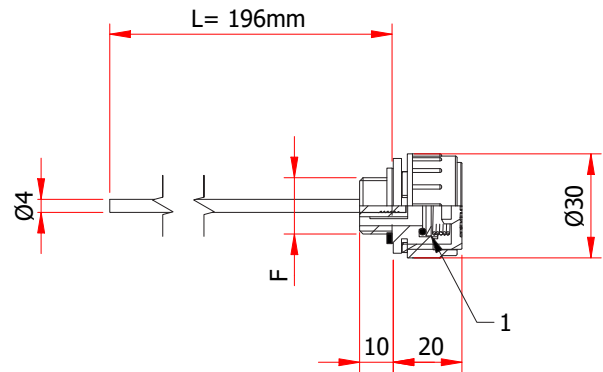
TSV



1 = Air relief valve



TSAV



1 = Air relief valve

-Threaded filler breathers, cylindrical head with easy grip vertical ribs; manufactured from thermoplastic material (Polyamide 66), max working temperature **100°C (212 °F)**.

-TSV filler breathers are produced in black color, red lid, with encased hydraulic symbol for check valve (for adequate quantities it is possible to customize the lid); provided with flat NBR seal 70 Shore durometer (O-Ring option available).

-Model TSAV fits a steel level dipstick with zinc phosphate surface (cylindrical section) standard length mm.195; in case of orders of at least 250 pcs the dipstick length can be made to the customer specification.

-The filler breathers TSV-TSAV have small external space requirements and are used in applications where a certain pressure needs to be maintained into the tank.

-The check valve opens at a pressure of about **0.25 bar/3.6 PSI** and close reset at similar pressure.

-The check valve will allow air to vent out under the above conditions, but does not allow air to move back in, this preventing dust particles or other forms of contamination from the atmosphere to enter the oil.

-Extensively used in small oil tanks, gearboxes, gear reducers, torque multipliers and transmissions.

Code		F
TSV/14	TSAV/14	G 1/4"
TSV/38	TSAV/38	G 3/8"
TSV/12	TSAV/12	G 1/2"

On request available in NPT threads