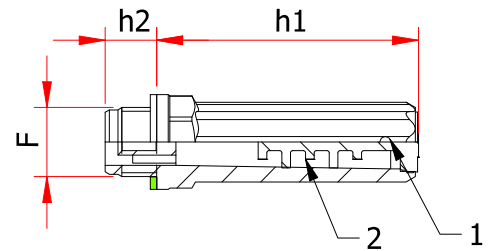
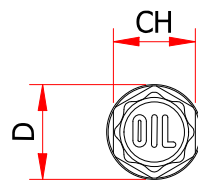


## TK - EXTENDED FILLER PLUGS WITH BUILT-IN LABYRINTH OVERFLOW PROTECTION



1 = Breather hole  
 2 = Internal labyrinth

-Threaded extended plug with labyrinth vane labyrinth vane located in its body; produced from thermoplastic material (Polyamide 66), max working temperature **100°C**.

- The breather plugs of the TK series have been designed for applications where there is a considerable movement of oil and consequent danger of oil leaks from the breather hole (Ø 2,5 mm).

-The combined action of the internal splash guards and the raised position of the vent hole at the top of the cylinder protects against oil leakages.

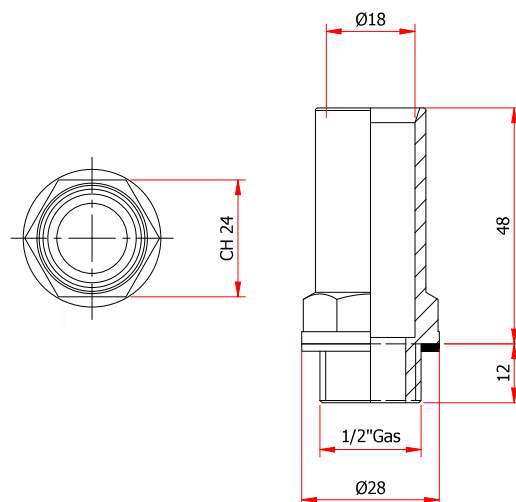
-The cap is supplied as standard in black with a red lid with "OIL" inscription and with flat fiber seal.

-Hex bottom to allow tightening by wrench.

Code	F	CH	D	d	h1	h2
TK/14	G 1/4"	17	20	9	55	12
TK/38	G 3/8"	19	22	12	60	12
TK/12	G 1/2"	22	28	15	65	12
TK/16.15	M 16x1,5	19	22	12	60	12
TK/18.15	M 18x1,5	19	22	12	60	12

plastic breathers

## PFP -THREADED EXTENSION FOR PRESS-FIT BREATHER PLUGS



-Extension casing with bottom thread 1/2"BSP male, and top hole 18 mm diameter for press-fit component; it can be used combined with our filler breather TP-TPBS-ALS/18.

-Due to this extension, the breather holes in the press-fit breather hole in the press-fit breather is located at an raised

position, helping to reduce overflow of oil.

-The extension is made of thermoplastic material (Polyamide 66), provided standard with fiber gasket (NBR flat seal available on request).