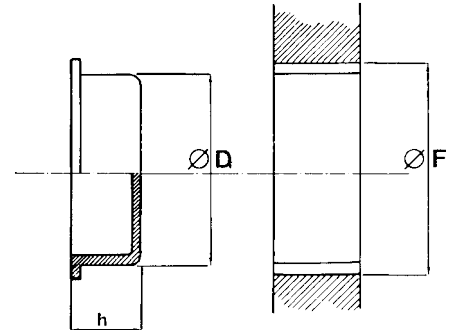


## PF - PROTECTION PLUGS



-Protection plugs manufactured from low density Polyethylene for female threaded items  
 -Standard color: red.

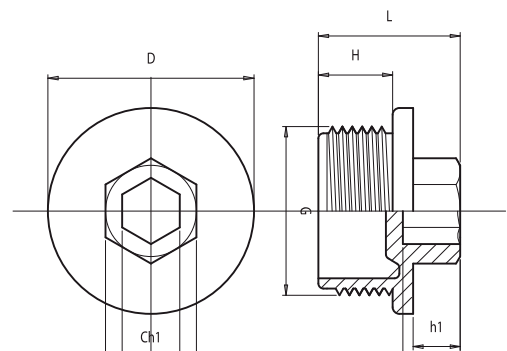
-Protects female threads and valves from dirt and damage under storage or shipping.  
 -This products offers protection at affordable cost.

Code	Dimensions pz.	Ø F	D	h
PF/18R	2000	G 1/8"	9	8,5
PF/14R	2000	G 1/4"	12	9
PF/38R	2000	G 3/8"	15,5	10,5
PF/12R	1000	G 1/2"	19	11,5
PF/34R	1000	G 3/4"	25	12,7
PF/1R	500	G 1"	30,5	11
PF/114R	500	G 1 1/4"	39,5	11,5
PF/112R	500	G 1 1/2"	46	11,5
PF/14.15R	2000	M14x1,5	12,5	10
PF/16.15R	2000	M16x1,5	14,2	10
PF/18.15R	2000	M18x1,5	16,5	10
PF/20.15R	1000	M20x1,5	18,5	10
PF/22.15R	1000	M22x1,5	20,2	10

## TMEG - THREADED PROTECTION PLUGS



Material: L.D.Polyethylene  
 Color: Red



Code	Threads GAS (B.S.P.)	Dimensions		Standard packing
		D	H	
TMEG 1/8"	G. 1/8"	16,2	9	1000
TMEG 1/4"	G. 1/4"	18,1	10	1000
TMEG 3/8"	G. 3/8"	21	8,5	1000
TMEG 1/2"	G. 1/2"	25,2	10,6	500
TMEG 3/4"	G. 3/4"	31,3	11	500
TMEG 1"	G. 1"	38	12,7	500