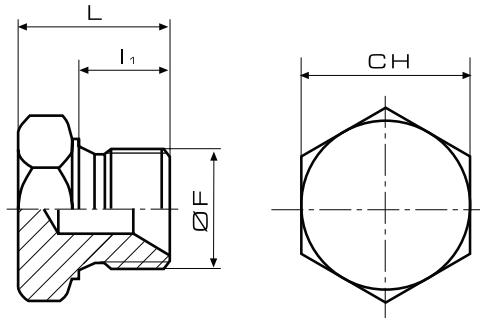


TTE - HEX HEAD STEEL PLUGS



- Material: Steel 11SMnPb37.
- Working temperature: -20°C +100°C
- Max working pressure: 70 bar in static applications.

Code	ØF	I1	L	CH
TTE-18	G 1/8"	8	13	14
TTE-14	G 1/4"	11	17	19
TTE-38	G 3/8"	12	19	22
TTE-12	G 1/2"	14	22	27
TTE-34	G 3/4"	16	25	32
TTE-1	G 1"	19	29	41
TTE-114	G 1 1/4"	20	31	50
TTE-112	G 1 1/2"	21	33	55
TTE-2	G 2"	23	36	70
TTE-10.1	M 10x1	8	12	14
TTE-12.15	M 12x1,5	10	15	17
TTE-14.15	M 14x1,5	11	17	19
TTE-16.15	M 16x1,5	12	19	22
TTE-18.15	M 18x1,5	13	20	24
TTE-20.15	M 20x1,5	14	22	27
TTE-22.15	M 22x1,5	15	23	27
TTE-24.15 (only on request)	M 24x1,5	16	25	30
TTE-26.15 (only on request)	M 26x1,5	16	25	32
TTE-28.15 (only on request)	M 28x1,5	17	27	36
TTE-30.15 (only on request)	M 30x1,5	18	28	38