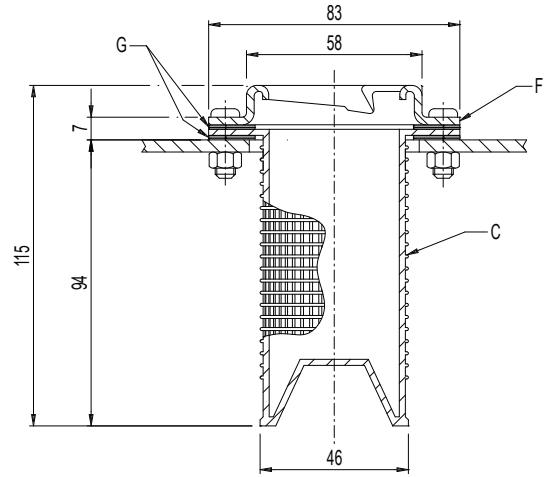
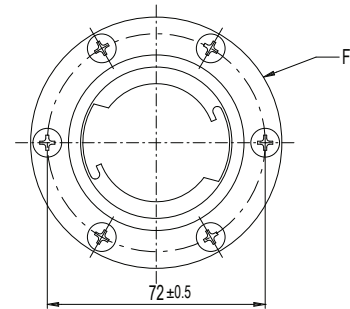


TMDF/FC/70 - FILLER BREATHERS WITH FILTER, BAYONET AND STRAINER

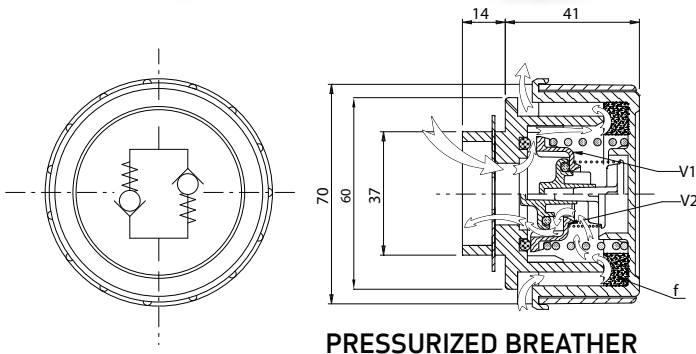
TMDV/FC/DS70 - DOUBLE-VALVE PRESSURIZED FILLER BREATHERS WITH BAYONET AND STRAINER



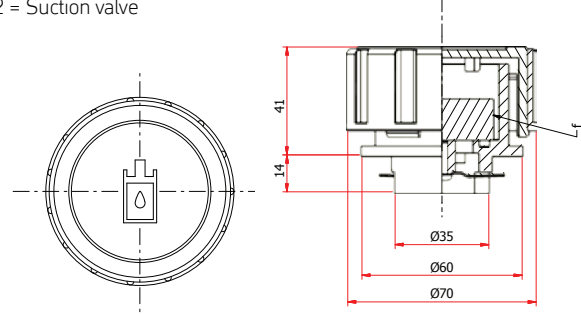
F = Fixing steel flange
C = Plastic strainer
G = Cork seal



f = Air filter
V1 = Safety valve
V2 = Suction valve



PRESSURIZED BREATHER



BREATHER WITH FILTER

-Round headed filler breather, with vertical ribs for better grip, bayonet connection, safety chain and zinc plated steel flange, with filtering basket.

-Model **TMDF/FC/70**: Black body, red lid with graphic symbol "fill oil" symbol.

-Model **TMDV/FC/DS70**: Black body, black lid with "double-valve" graphic symbol.

-Manufactured from Polyamide 66 ensuring high mechanical resistance at both low and higher temperatures (**max working temp. 100°C-212 F**); oil resistant seal NBR70 Shore.

-The polyurethane air filter is located under the lid, easy to remove clean and reinstall.

-Strainer basket made from Polypropylene (PP) black colour. Resistant to oils, solvents and others chemical agents; flat flange gasket made from cork.

-Hardware included six zinc-plated steel screws for assembling.

-Inside the model **TMDV/FC/DS70** is fitted a plastic safety device with a double-valve system; set at 0.35 bar (± 0.05), suction valve set at around 0.05 bar; This model is used on hydraulic applications where the airflow needs to be controlled in both directions, externally when internal overpressure is created, internally when, decreasing the fluid level, a vacuum is created.

-On the model **TMDF/FC/70** the airflow capacity at a pressure of 50 unbat (0.73 psi) is 500 liters/minute.

-The air filter protect the reservoir from dirt ingress and the safety valve protect from oil spillage in mobile or semi-mobile hydraulic applications.

- Possibility to supply only the breather (bayonet style connection) without flange and strainer.

plugs, breathers and dipsticks