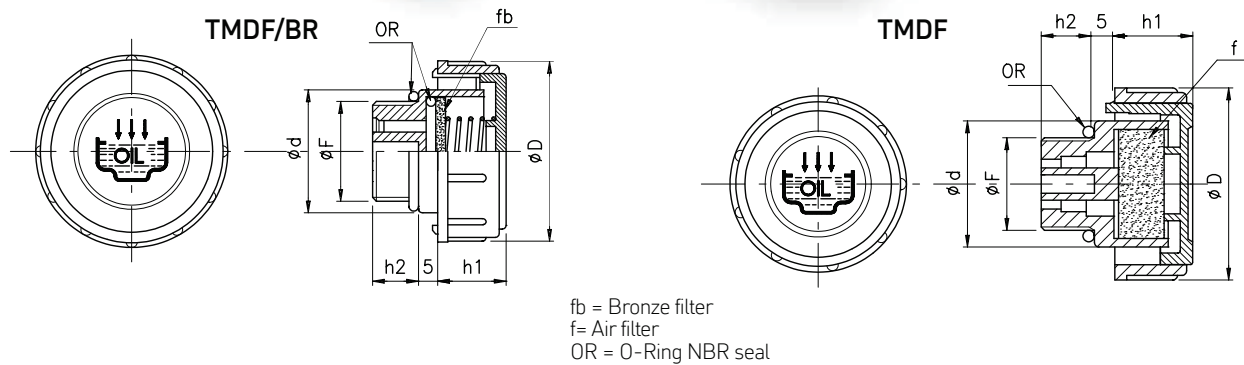


TMD - FILLER BREATHERS

TMDF - FILLER BREATHERS WITH FILTER

TMDF/BR - FILLER BREATHERS WITH FILTER IN SINTERED BRONZE



-Round headed filler breather, with vertical ribs for better grip, threaded connection.

-Standard production: black with red lid complete with graphic fill symbol and the text "OIL"; the models 114-112 have an option for a yellow lid, available with text "DIESEL" upon request.

-On request, for larger quantities the lid can be neutral or equipped with company logo.

-Manufactured from Polyamide 66 ensuring high mechanical resistance at both low and higher temperatures (**max working temp. 100°C-212 F**); oil resistant O-Ring seal 70 Shore.

-The polyurethane air filter is located under the lid, easy to remove clean and reinstall.

-These filler breathers allow air passage at high volume,

through the vents located on the bottom of the head; they are recommended to be used in systems where frequent oil level changes take place in short amount of time, allowing the air to enter and leave the system, without any unwanted air pressure increase or decrease.

-The airflow capacity (P) indicated on the table expressed in liters/minute with a tank pressure of 50 mbar (0,73 psi).

-In the kind of applications where the vent hole is subject to strong oil splashes, especially during the starting of the machine when the oil is still thick, we suggest to utilize the model **TMDF/BR** with air filter element in sintered bronze (30 ± filtration degree). This allows the air to flow but stops fluid overflowing due to the bronze filter being not absorbent.

-NPT Threads available on 3/8"-1/2"-3/4"-1".

Code	P	Code	P	Code	P	F	D	d	h1	h2
TMD-38	200	TMDF-38	170	TMDF-38/BR	93	G 3/8"	36	23	17	11
TMD-12	250	TMDF-12	183	TMDF-12/BR	100	G 1/2"	41	28	18	12
TMD-34	520	TMDF-34	420	TMDF-34/BR	230	G 3/4"	47	33	17	12
TMD-1	400	TMDF-1	380	TMDF-1/BR	260	G 1"	52	38	20	12
TMD-114		TMDF-114	650	TMDF-114/BR	130	G 1 1/4"	63	49	23	13
TMD-112		TMDF-112	600	TMDF-112/BR	130	G 1 1/2"	63	55	23	13,5
TMD-14.15	225	TMDF-14.15	183	TMDF-14.15/BR	100	M 14x1,5	41	28	17,15	12
TMD-16.15	260	TMDF-16.15	170	TMDF-16.15/BR	93	M 16x1,5	36	23	17	11
TMD-18.15	170	TMDF-18.15	170	TMDF-18.15/BR	90	M 18x1,5	41	28	17,5	12
TMD-20.15	225	TMDF-20.15	183	TMDF-20.15/BR	100	M 20x1,5	41	28	17,5	12
TMD-22.15	225	TMDF-22.15	183	TMDF-22.15/BR	100	M 22x1,5	41	28	17,5	12