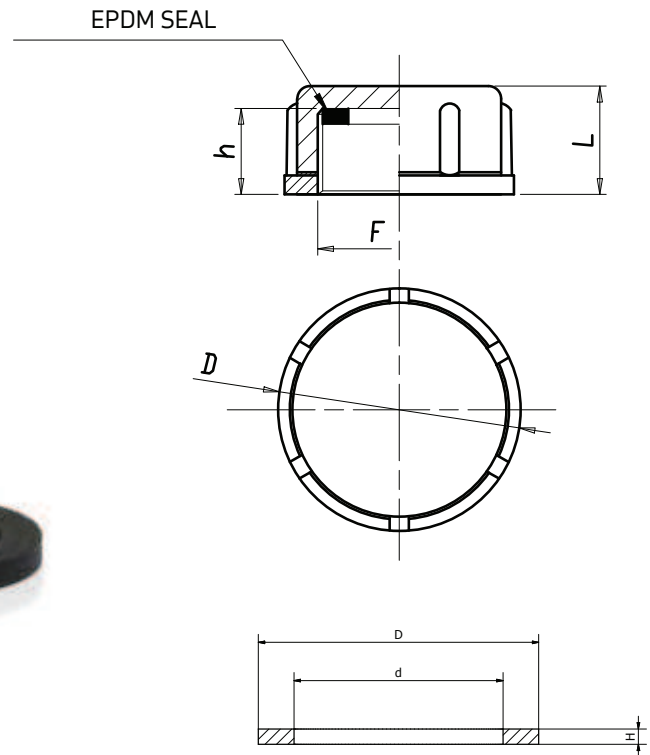


TF/C - BLANKING CAP WITH INTERNAL THREAD

G - INTERNAL FLAT GASKET



-Blanking cap with internal thread produced in Nylon PA66.

-Max Working temp.: 90°C.

-Internal flat gasket in EPDM.

-Designed for plastic tanks.

Code	F (BSP)	h (mm)	L (mm)	D (mm)	Min. Pack
TF/14-C	G1/4	7,5	10,5	19	25
TF/38-C	G3/8	14	18	29	25
TF/12-C	G1/2	13	17,5	31	25
TF/34-C	G3/4	13,5	18	38	25
TF/1-C	G1	17,5	22	46	25
TF/114-C	G1 1/4	18	23,5	57	25
TF/112-C	G1 1/2	19	25	64	25
TF/2-C	G2	19	25,5	77	10
TF/212-C	G2 1/2	20	26,5	92	10
TF/3-C	G3	25,5	32,5	105	10

Code	F (BSP)	D (mm)	d (mm)	H (mm)	Min. Pack
G 40013	G3/4	24,5	17	2,5	25
G 40014	G1	30,7	20	2,5	25
G 40015	G1 1/4	39,7	27,5	2,5	25
G 40004	G1 1/2	45	33	3	25
G 40005	G2	60	40	4	10
G 40010	G2 1/2	75	55	4	10
G 40007	G3	86	59	4	10