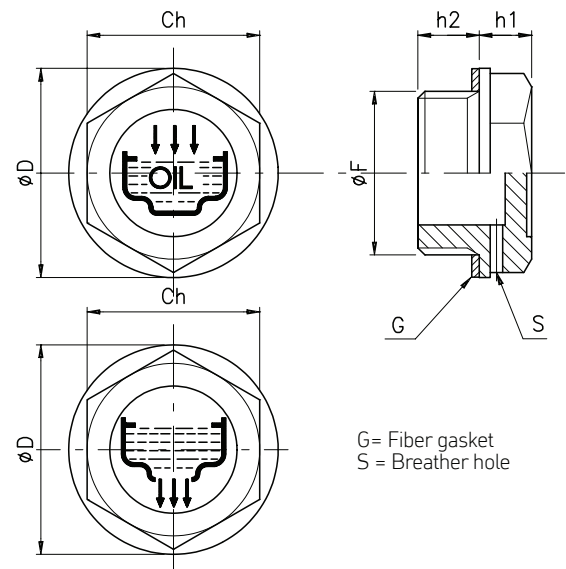


TCN - OIL FILL PLUGS

TCNS - OIL FILL PLUGS WITH BREATHER HOLE

TSN - OIL DRAIN PLUGS



G = Fiber gasket
 S = Breather hole

-Hex threaded oil fill plugs made from thermoplastic material (Polyamide 66) ensuring high mechanical resistance at both low and high temperatures (**max operating temp. 100°C**), dimensional stability and shock resistance.

-FASIT 202 fiber gasket (NBR 70 Shore seal available on request, adding to the code the suffix /G).

-Standard colour: black, red available on request.

-TCN and TCNS style have the fill graphic symbol and

the word OIL moulded on the top; the model TCNS has a breather hole located on the side of the hex with a diameter from 2 to 3,5 mm, depending on the plug size.

-Model TSN has a graphic drain symbol moulded on the top.

-Nm = maximum applicable tightening torque.

* Hex surface blank, supplied only with NBR flat seal

	Code	F	Ch	D	h2	h1	Nm	
TCN-14	TCNS-14	TSN-14	G 1/4"	17	19,5	9	5	
TCN-38	TCNS-38	TSN-38	G 3/8"	18	22	10	8	
TCN-12	TCNS-12	TSN-12	G 1/2"	23	28	11	9	
TCN-34	TCNS-34	TSN-34	G 3/4"	30	34	11	11	
TCN-1	TCNS-1	TSN-1	G 1"	36	42	12	20	
TCN-114	TCNS-114	TSN-114	G 1 1/4"	42	51	13,5	12	
TCN-112	TCNS-112	TSN-112	G 1 1/2"	50	58	16	10	
TCN-2	TCNS-2	TSN-2	G 2"	64	74	16	12	
TCN-10.15*	TCNS-10.15*		M 10x1,5	18	22	9	7	5
TCN-12.15*	TCNS-12.15*		M 12x1,5	18	22	9	7	5
TCN-14.15	TCNS-14.15	TSN-14.15	M 14x1,5	17	19,5	9	7	5
TCN-16.15	TCNS-16.15	TSN-16.15	M 16x1,5	18	21	10	7,5	6
TCN-18.15	TCNS-18.15	TSN-18.15	M 18x1,5	21	26	10	7,5	7
TCN-20.15	TCNS-20.15	TSN-20.15	M 20x1,5	24	28	10	8	8
TCN-22.15	TCNS-22.15	TSN-22.15	M 22x1,5	24	28	11	8	10
TCN-40.15	TCNS-40.15	TSN-40.15	M 40x1,5	42	52	13	10	