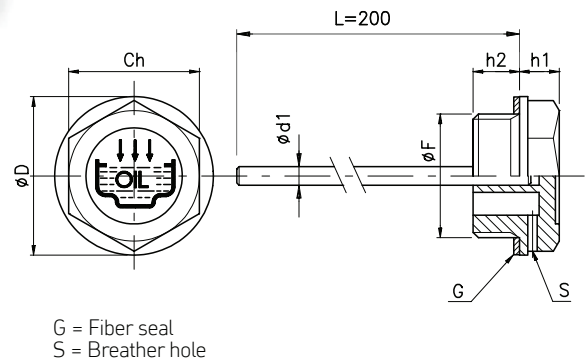


TCA - HEX PLUGS WITH DIPSTICK

TCAS - HEX PLUGS WITH DIPSTICK AND BREATHER HOLE



-Hex threaded oil fill plugs with dipstick made from thermoplastic material (Polyamide 66) ensuring high mechanical resistance at both low and high temperatures (**max operating temp. 100°C**), dimensional stability and shocks resistance.

-FASIT 202 fiber gasket.

-TCA and TCAS style have the fill graphic symbol and the word OIL moulded on the top; the model TCAS has a

breather hole located on the side of the hex with a diameter from 2 to 3,5 mm, depending on the plug size.

-Steel level dipstick with zinc phosphate surface (cylindrical section), standard length mm. 200, on quantities of a least 250 pcs they can be manufactured to the customers specific length and MIN-MAX notches can be placed in the desired position.

	Code	F	Ch	D	h1	h2	d1
	TCA-14 TCAS-14	G 1/4"	17	19	7	9	4
	TCA-38 TCAS-38	G 3/8"	18	22	7,5	10	4
	TCA-12 TCAS-12	G 1/2"	24	28	7,5	11	4
	TCA-34 TCAS-34	G 3/4"	30	34	9	11	5
	TCA-1 TCAS-1	G 1"	35	42	10,5	12	5
	TCA-114 TCAS-114	G 1 1/4"	42	51	12	13,5	5
	TCA-2 TCAS-2	G 2"	64	74	13,5	16	5
	TCA-14.15 TCAS-14.15	M 14x1,5	17	19	7	9	4
	TCA-16.15 TCAS-16.15	M 16x1,5	18	21	7,5	10	4
	TCA-18.15 TCAS-18.15	M 18x1,5	21	26	7,5	10	4
	TCA-20.15 TCAS-20.15	M 20x1,5	24	28	8	10	4
	TCA-22.15 TCAS-22.15	M 22x1,5	24	28	8	11	4