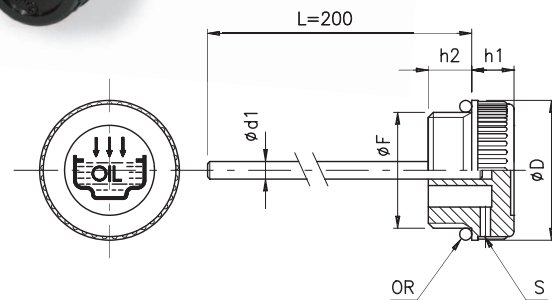


TCAZ - KNURLED PLUGS WITH DIPSTICK

TCASZ - KNURLED PLUGS WITH DIPSTICK AND BREATHER HOLE



S = Breather hole
OR = O-Ring NBR seal

-Knurled threaded oil fill plugs with dipstick made from thermoplastic material (Polyamide 66) ensuring high mechanical resistance at both low and high temperatures (**max operating temp. 100°C**), dimensional stability and shocks resistance.

-O-Ring seal NBR 70 Shore

-TCAZ and TCASZ style have the fill graphic symbol and the word OIL moulded on the top; the model TCASZ has

a breather hole located on knurled section of cap with a diameter from 2 to 3.5 mm, depending on the plug size.

-Steel level dipstick with zinc phosphate surface (cylindrical section), standard length mm. 200, on quantities of a least 250 pcs they can be manufactured to the customers specific length and MIN-MAX notches can be placed in the desired position.

| Code | F | D | h2 | h1 | d1 |
|------------------------|----------|------|------|------|----|
| TCAZ-14 TCASZ-14 | G 1/4" | 20 | 9 | 9 | 4 |
| TCAZ-38 TCASZ-38 | G 3/8" | 20,5 | 10 | 9 | 4 |
| TCAZ-12 TCASZ-12 | G 1/2" | 28 | 10,5 | 10,5 | 4 |
| TCAZ-34 TCASZ-34 | G 3/4" | 31 | 11 | 12 | 5 |
| TCAZ-1 TCASZ-1 | G 1" | 39 | 12 | 12 | 5 |
| TCAZ-114 TCASZ-114 | G 1 1/4" | 49 | 13,5 | 13 | 5 |
| TCAZ-2 TCASZ-2 | G 2" | 68,5 | 16 | 15 | 5 |
| TCAZ-14.15 TCASZ-14.15 | M 14x1,5 | 20 | 9 | 9 | 4 |
| TCAZ-16.15 TCASZ-16.15 | M 16x1,5 | 20 | 10 | 9 | 4 |
| TCAZ-18.15 TCASZ-18.15 | M 18x1,5 | 28 | 10 | 10,5 | 4 |
| TCAZ-20.15 TCASZ-20.15 | M 20x1,5 | 28 | 10 | 10,5 | 4 |
| TCAZ-22.15 TCASZ-22.15 | M 22x1,5 | 28 | 11 | 10,5 | 4 |