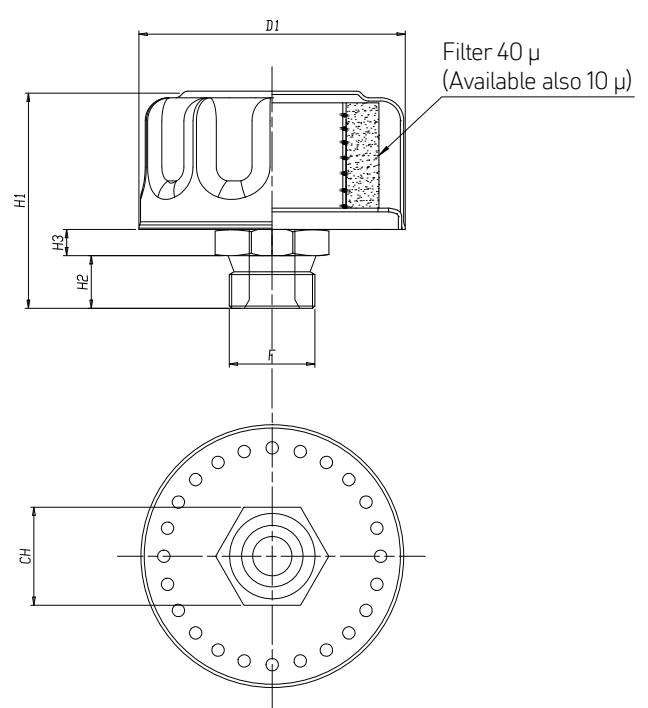
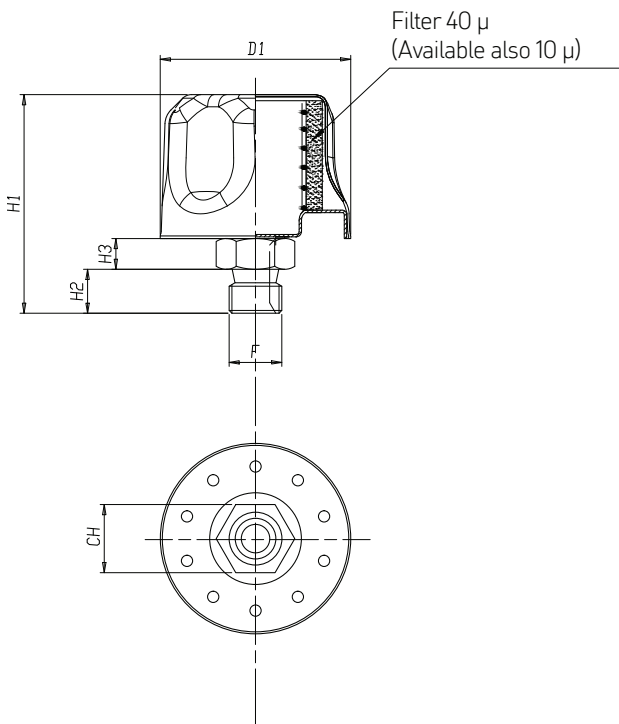


TA - METAL FILLER BREATHERS



plugs, breathers and dipsticks

-Filler breathers made from zinc plated steel, chrome-plated cap, screw-in version, equipped with male BSP threads $\frac{1}{4}$ " thru 1" port size.

-Air filter element made of polyurethane foam, filtration degree standard 40 Microns (10 Microns on request),

allowing the reservoir to breathe whilst protecting it from contamination found in harsh environments.

-Airflow rate (P) indicated in the table expressed in liters/minute using a pressure of 50 mbar (0,73 PSI).

Code	F	Ch	D1	H1	H2	H3	P	Weight gr.
TA4046-14	G1/4	17	46	52	10	7	333	60
TA4046-38	G3/8	19	46	54	12	7	400	70
TA4046-12	G1/2	24	46	56	14	9	467	80
TA4046-34	G3/4	30	46	54	16	8	467	120
TA4080-12	G1/2	24	80	68	14	8	666	200
TA4080-34	G3/4	30	80	70	16	8	666	240
TA4080-1	G1	36	80	74	18	10	666	300