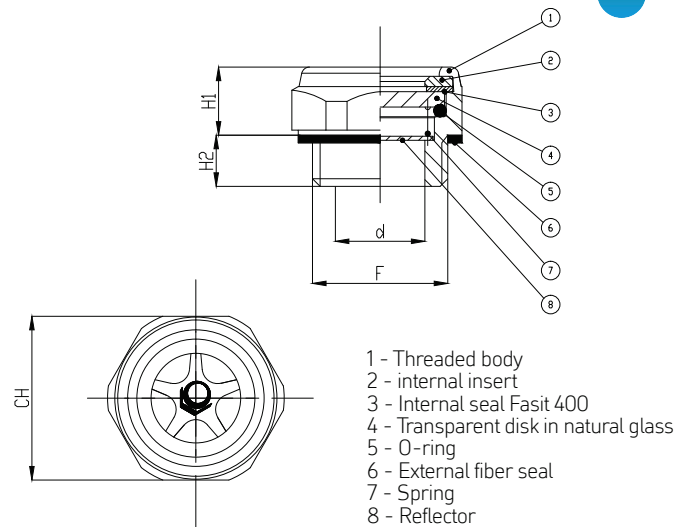


SM/HP – OIL LEVEL INDICATORS – Aluminium/natural glass


 +130°C
 266 F


-Threaded hex-head level indicator manufactured from aluminium alloy.

-Window made from natural glass, internal seal in FKM Viton.

-Max operating pressure suggested: 20 Bar.

-Internal reflector in aluminium with red central logo.

-External flat fiber gasket; available on enquiry in aluminium.

-Suggested to be used on screw compressors, gearboxes or any others applications where a high pressure and mechanical resistance is required.

-Do not use SM/HP in vacuum application.

Code	F	D	Ch	d	h1	h2	Weight gr	Min. Pack
SM-12/HP	G.1/2"	30	27	14	10	9	16	1
SM-34/HP	G.3/4"	35	32	17,5	12,5	10	29	1
SM-1/HP	G.1"	42,5	40	23	13	10	50	1
SM-20,15/HP	M20x1,5	30	27	14	10	9	16	1
SM-33,15/HP	M33x1,5	42,5	40	23	13	10	50	1

38 – SPECIAL OIL LEVEL INDICATORS



-**38B** – Oil level indicator in brass and glass for high pressures and high temperatures (-10 +150°C).

Threads available: G.1/2", 3/4", 1", 1 1/4", 1 1/2" e 2".

-**38B.I** – Oil level indicator INOX and glass for high pressures and high temperatures (-10 +150°C).

Threads available: G.1/2", 3/4", 1".

-**38D** – Oil level indicator aluminium and glass (-10 +150°C); max working pressure 10 Bar.

Threads available: G.1/4", 3/8", 1", 1 1/4" e M 14x1,5, M 16 X 1,5, M18 X 1,5, M20 X 1,5, M22 X 1,5.

-**38D.I** – Oil level indicator INOX and glass (-10 +150°C).

Threads available: G.1/4", 3/8", 1/2", 3/4" e 1".