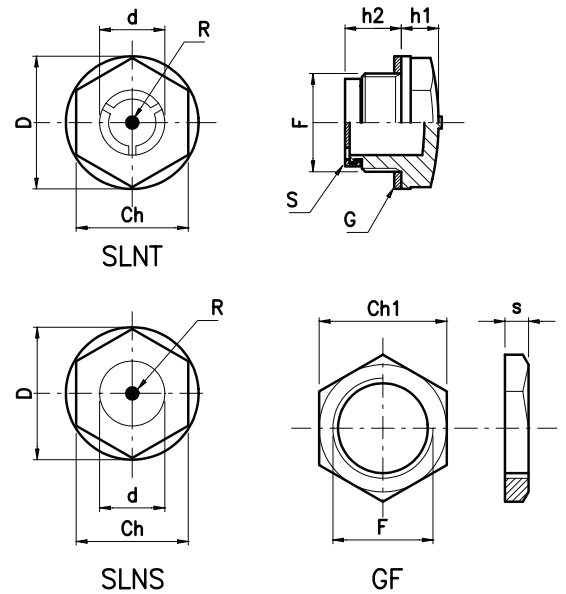


SLNS - OIL LEVEL INDICATORS

SLNT - OIL LEVEL INDICATORS WITH REFLECTOR



R= red incator
S= reflector

G= fiber gasket

-Threaded oil level indicators, hex head with shoulder. Utilized in oil tanks, gearboxes and general hydraulic machinery and tools.

-Made from transparent polyamide which provides good mechanical resistance and is impervious to mineral oil, gasoline, lubricants, petroleum, solvents and most chemical agents. Avoid contact with alcohol based solutions, antifreeze liquids at high temperatures and hot water over 80°C.

-Fiber gasket (optional NBR flat seal on request adding to the code the suffix /G).

-The level indicator features a "hot painted" red point in the center (model SLNS). The model SLNT is provided with a contrast white screen for clearer indication of the oil level.

-Dimensional stability up to temperature of **90°C**.

-Maximum tightening torque suggested for installation is indicated in the table (Nm).

-For wall thickness less than 5 mm use the brass fixing nuts GF.

-**Model SLNS-T/CX** made from special resin resistant to fluid containing alcohol and anti-freeze liquids.

Code	Ch	F	D	d	h1	h2	Nm	Ch1	s
SLNS/14	17	G 1/4	20,5	12	8	8,50	5	n.a.	n.a.
SLNS/38	SLNT/38	G 3/8	22	12	6,5	12	7	19	5
SLNS/12	SLNT/12	G 1/2	28	16	8	12	15	27	5
SLNS/34	SLNT/34	G 3/4	36	21	8,5	13,5	20	32	6
SLNS/1	SLNT/1	G 1	42	30	9	14	25	36	6
SLNS/114	SLNT/114	G 1 1/4	51	32	10	17	n.a.	46	6
SLNS/112	SLNT/112	G 1 1/2	58	39	10	21	n.a.	n.a.	n.a.
SLNS/2	SLNT/2	G 2	74	48	12	20	n.a.	n.a.	n.a.
SLNS/14.15		M14x1,5	20	12	7,5	8	5	n.a.	n.a.
SLNS/16.15	SLNT/16.15	M16x1,5	22	12	6,5	12,5	7	n.a.	n.a.
SLNS/18.15	SLNT/18.15	M18x1,5	25,5	14	6	12,5	10	n.a.	n.a.
SLNS/20.15	SLNT/20.15	M20x1,5	28	16	7,5	12	15	n.a.	n.a.
SLNS/22.15	SLNT/22.15	M22x1,5	28	16	7,5	12,5	15	n.a.	n.a.
SLNS/26.15	SLNT/26.15	M26x1,5	36	21	8,5	13,5	20	n.a.	n.a.
SLNS/27.15	SLNT/27.15	M27x1,5	36	21	8,5	13,5	20	n.a.	n.a.
SLNS/40.15	SLNT/40.15	M40x1,5	51	32	10	17	n.a.	n.a.	n.a.