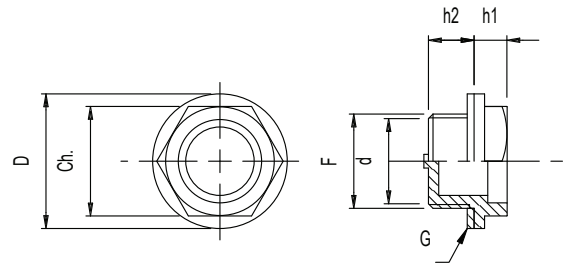


SLC - LEVEL SIGHT GLASSES



G= Fiber seal

-Threaded oil level indicators, hex head with shoulder. Utilized in oil tanks, gearboxes and general hydraulic machinery and tools.

-Made from transparent polyamide which provides good mechanical resistance and is impervious to mineral oil, gasoline, lubricants, petroleum, solvents and most chemical agents (please refer to technical table, page 84). Avoid contact with alcohol based solutions and antifreeze liquids at high temperatures and hot water over 80°C.

-Fiber gasket (optional NBR flat seal on request).

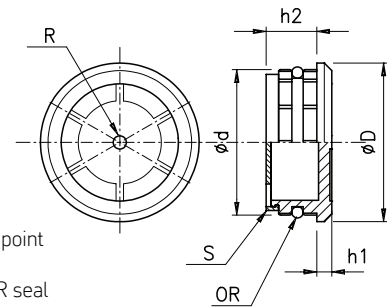
- **Dimensional stability up to temperature of 90°C.**

-Maximum tightening torque suggested for installation is indicated in the table (Nm).

-The base of the threaded end is solid therefore residual fluid which could give false indication is not trapped inside when level drops down.

Code	Ch	F	D	d	H1	H2	Nm
SLC/38	18	G 3/8"	22	12	7	10	6
SLC/12	24	G.1/2"	29	16	5	10	10

SLP - PRESS FIT LEVEL SIGHT GLASSES



R = Red indicator point
S = Reflector
OR = O-Ring NBR seal

-Press-fit oil level indicators, utilized in tanks and reservoirs with diameter F with a wall thickness exceeding 5 mm; tolerance of the predrilled hole $\pm 0,1$ mm .

-Excellent sealing ability due to the oil resistant NBR 70 Shore O-Ring.

- "Hot Painted" red point, located in the centre of the level indicator, combined with the white reflector enable easy reading of the oil level.

-Made from transparent polyamide which provides good mechanical resistance and is impervious to mineral oil, gasoline, lubricants, petroleum, solvents and most chemical agents (please refer to technical table, page 84). Avoid contact with alcohol based solutions and antifreeze liquids at high temperatures and hot water over 80°C.

- Good dimensional stability at low and high temperatures (**max operating temperature 90°C**); only recommended for application without internal pressure.

Code	F=ø mm	D	ø d	h1	h2
SLP/17	17	18	16,9	3	7
SLP/20	20	24	19,6	4	10
SLP/26	26	30	25	4	11,5
SLP/32	32	36	31,7	4	13
SLP/38	38	42	37,5	4	14
SLP/40	40	44	39,5	4	14