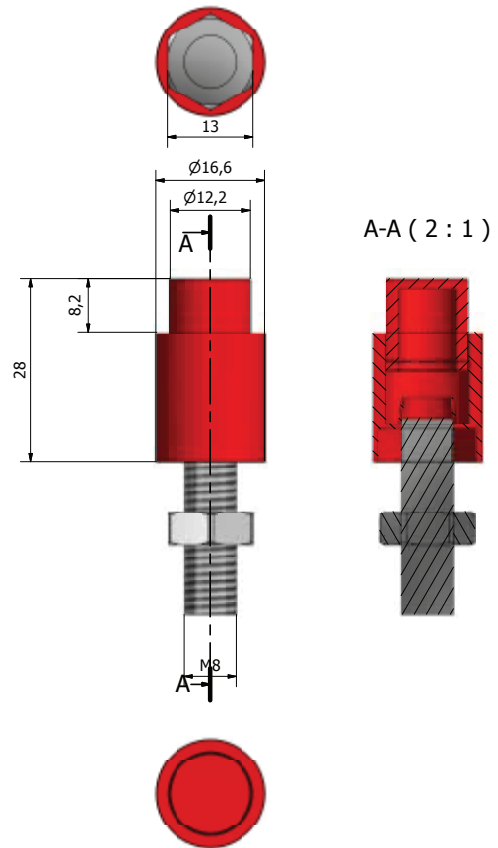


## PROT/VM8/2 - ANTI-TAMPERING PROTECTION FOR MAXIMUM PRESSURE VALVE M 8



- Material: PVC.
- Color: red.



## 13 PGR - GREASE NIPPLE CAPS



- Material: LD polythene.
- Color: red.
- D: 6 mm.

