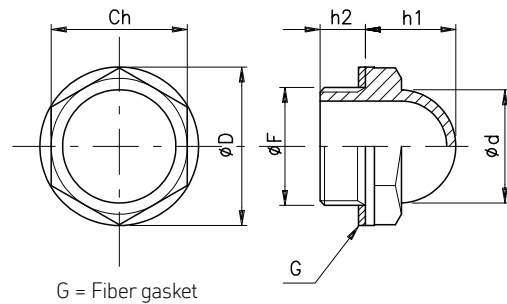


LSB - DOME SHAPED OIL LEVEL GLASSES



-Dome shaped transparent level glasses, enabling oil level to be read from any angle.

-Made from transparent polyamide which provides good mechanical resistance and is impervious to mineral oil, gasoline, lubricants, petroleum, solvents and most chemical agents. Avoid contact with alcohol based solutions

and antifreeze liquids at high temperatures and hot water over 80°C.

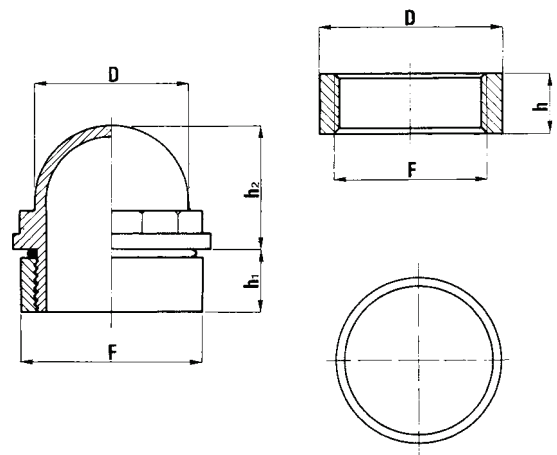
-Fiber gasket (optional NBR flat seal on request).

-Dimensional stability up to temperature of 90°C.

-Maximum tightening torque suggested for installation is indicated in the table (Nm).

Code	F	Ch	D	d	h1	h2	Nm
LSB-38	G 3/8"	19	22	15	14	10	7
LSB-12	G 1/2"	24	28	20	18	10	15
LSB-34	G 3/4"	30	35	25	20	10	20
LSB-1	G 1"	36	42	31	24	10,5	25
LSB-20.15	M 20x15	24	28	20	18	10	15

CF - DOME SHAPED FLUID LEVEL INDICATORS GF - STEEL MOUNTING FLANGE



-Transparent half ball shaped level indicators, available with 2" and 3" threaded weld-on steel flanges.

-Made from thermoplastic resin for optimal shock resistance and high strength; max operating temperature 70°C.

-Product is utilized on trucks/tankers and large reservoir containing liquids, especially in agricultural machinery.

-A 70 shore O-Ring is available on request.

Code	F	D	h1	h2
CF-2	G 2"	59	22	32
CF-3	G 3"	85	32	63
GF-2	G 2"	70	20	
GF-3	G 3"	102	30	