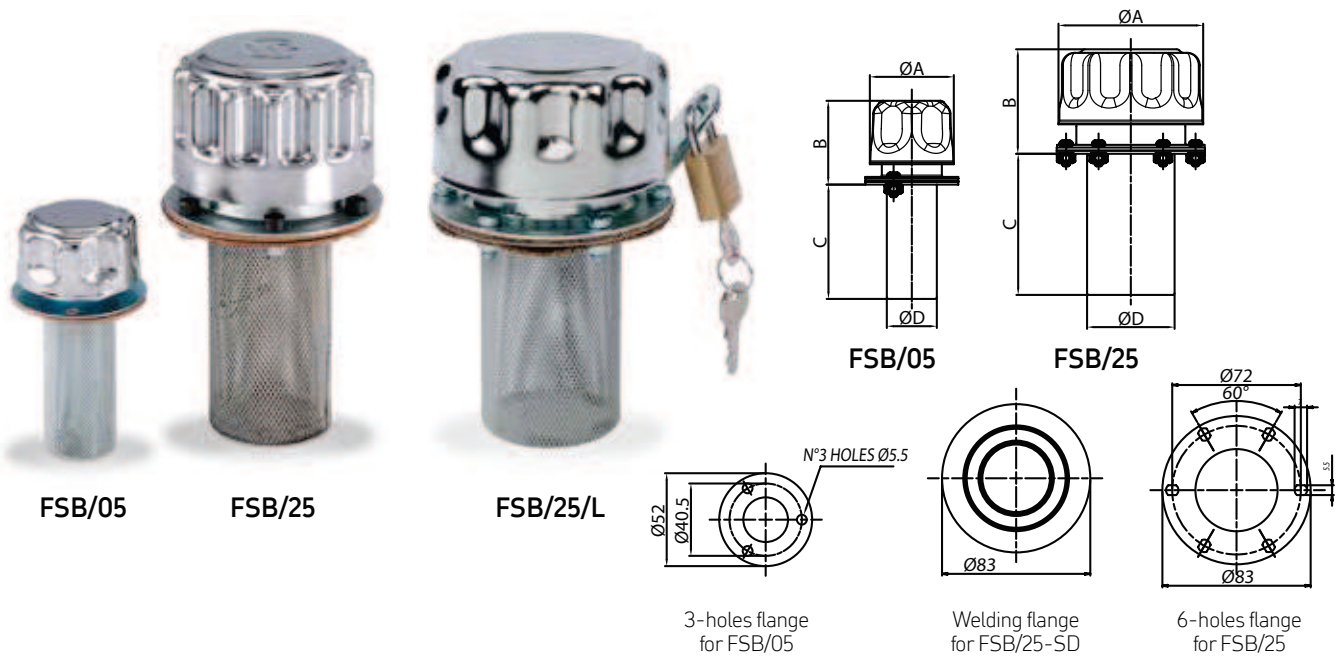
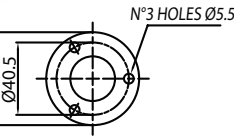
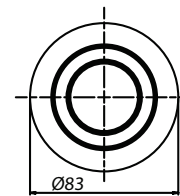
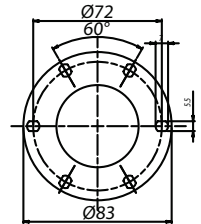
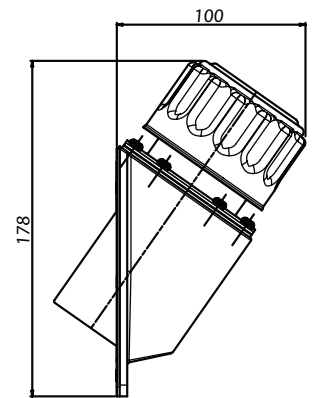
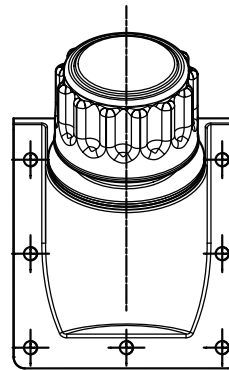
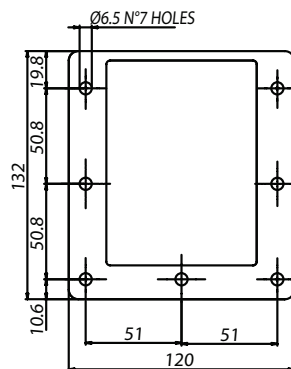


FSB - FILLER BREATHER CAPS WITH STRAINER, BAYONET STYLE


FSB/05
FSB/25
FSB/25/L
FSB/05
FSB/25

 3-holes flange
for FSB/05

 Welding flange
for FSB/25-SD

 6-holes flange
for FSB/25

FSB/25 BM


- Chrome plated steel ventilated cap.
- Polyurethane filter element 40 microns. (10 microns available on request).
- Base, flange mounted with 6 bolts.
- Cap with bayonet connection.
- Version FSB/SD is provided for welding to tank surface.
- Version FSB/25/38 is provided with removable strainer.

- Rugged cast aluminium housing (model FSB/BM) is provided for side mounting on the tank.
- Standard metal strainer 800 microns filtration degree.
- Flat packing ring made in rubber-impregnated cork or, on request in NBR synthetic rubber.
- Available on enquiry model FSB / 25 / L with safety lock.

Code	Airflow	A	B	C	D	weight gr.
FSB/05	120 Lt/min	46,5	44	65	27,5	96
FSB/25 (L)	600 Lt/min	80	58,5	78,5	49	300
FSB/25/150	600 Lt/min	80	55	150	49	327
FSB/25SD	600 Lt/min	80	55	105	38	290
FSB/25/38	600 Lt/min	80	55	101	38	325