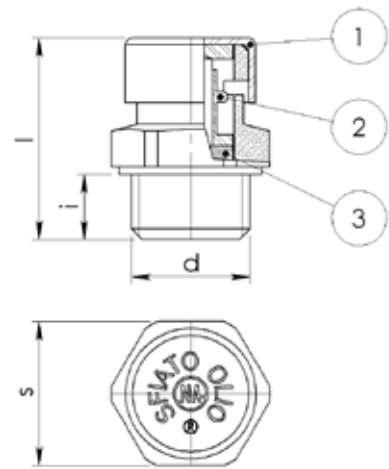


31 A - BREATHER PLUGS with sintered bronze filter



- (1) Protection cap: Steel white zinc plated
 (2) Labirinto: Aluminium alloy
 (3) Filter: Bronze sintered 50 microns

- Threaded brass body plugs, cap made in steel zinc plated.
- Fiber or aluminum sealing washer available.
- The breather plugs allow air to flow freely in both directions.
- This breather has bronze filter to prevent dust and dirt from entering the equipment and a labyrinth vane to contain oil leakage.

- The bronze filter (**50 micron** filtration degree) protects airborne contamination from entering the mechanical equipment.
- These plugs are designed for use in speed reducers, gearboxes, bearing housings and transmissions of all types.
- For sizes 3/8" and 1/2" possibility to supply conical threads.

Cod.	d	i (mm)	s (mm)	l (mm)	Weight (g)
31A-G.1/8	G1/8	7	14	22	16
31A-G.1/4	G1/4	9	17	29	31,5
31A-G.3/8	G3/8	9	20	28	37,5
31A-R.3/8	R3/8	10	19	27	36,5
31A-G.1/2	G1/2	10	24	29	59
31A-R.1/2	R1/2	11	22	30	56
31A-G.3/4	G3/4	12	32	35	96
31A-G.1	G1	13,5	40	43	201,5
31A-G.1 1/4	G1 1/4	15	50	53	450
31A-M10x1	M10x1	7	14	22	15
31A-M12x1,5	M12x1,5	9	17	29	30
31A-M14x1,5	M14x1,5	9	17	29	33
31A-M16x1,5	M16x1,5	9	22	28	43,5
31A-M18x1,5	M18x1,5	9	22	28	46,5
31A-M20x1,5	M20x1,5	10	24	32	71
31A-M22x1,5	M22x1,5	10	27	30	79
31A-M24x2	M24x2	11	30	33	118
31A-M30X2	M30X2	12	36	35	120
31A-M42X3	M42X3	15	50	53	500