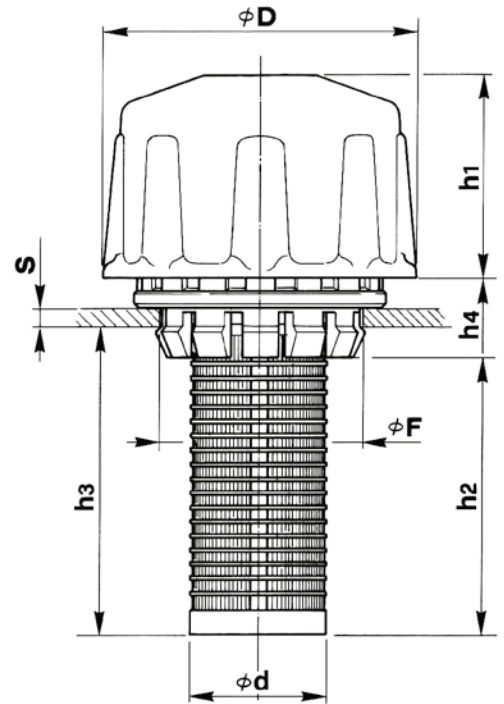
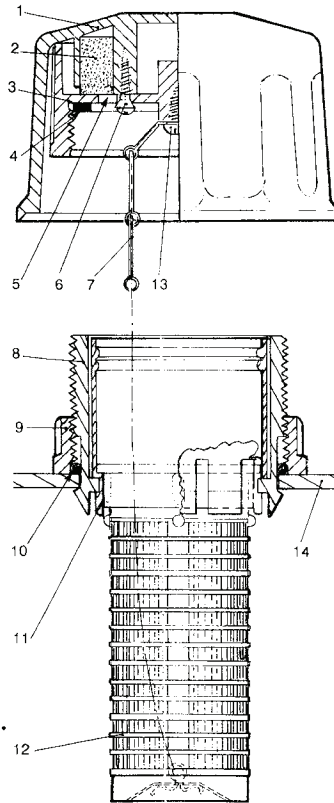


# CTR - FILLER BREATHER WITH STRAINER – TANK TOP MOUNT

Code	Description
CTR	Filler breather without safety chain
CTR/C	Filler breather with safety chain



plugs, breathers and dipsticks

-Filler breather with strainer basket for tank-top installation. Assembly contains 3 parts.

-**Top cap with breather** made from Polyamide 66, black colour.

-Contained in the cap is the filter made out of Polyurethane foam. The cap has an internal thread and screws onto the main body, located in the tank.

-**Main body** manufactured from technopolymer black contains threaded lockin ring and inside locking ring. The main body is placed in a pre-drilled hole (55 mm. min., max 55.3 mm. diameter) in the top of the reservoir.

-The wall thickness must not exceed 8 mm. and not be less than 2 mm.

-With this filler breather drilling and tapping of mounting holes is not needed.

A safety chain is available, which connects the cap to the body, preventing misplacement of cap when removed.

-**Strainer basket** material: Polypropilene, colored black, max operating temperature **80°C/176F**.

-Seal between tank and main body: O-Ring 70 shore.

-Airflow capacity at a pressure of 50 mbar (0,73 psi) = 400 liters/minute.

1	Filler Breather cap.	8	Main Body	D	88
2	Polyuretane Filter	9	Lock ring	h1	55
3	Inner Cap threaded (M60 x 2)	10	O-Ring	h2	80
4	Flat seal	11	Inside lock ring	h3	88
5	Breather holes	12	Filterbasket	h4	21
6	Connecting self tapping screws (3x)	13	Safety Chain screw (1)	d	38
7	Safety Chain	14	Tank top	S	2-8 mm